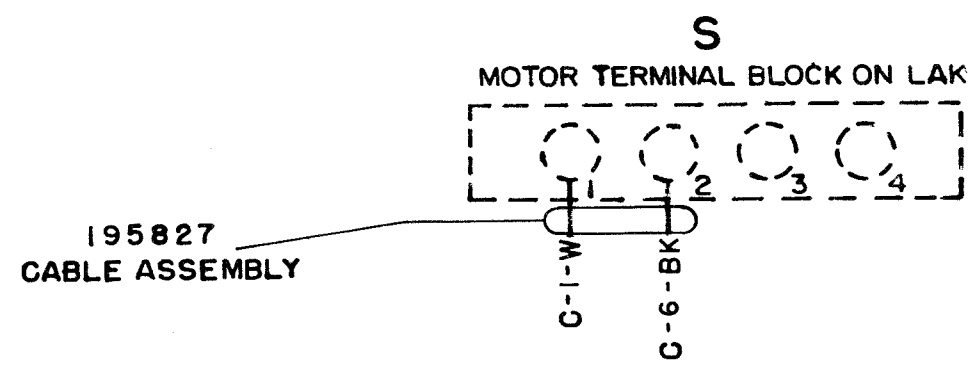
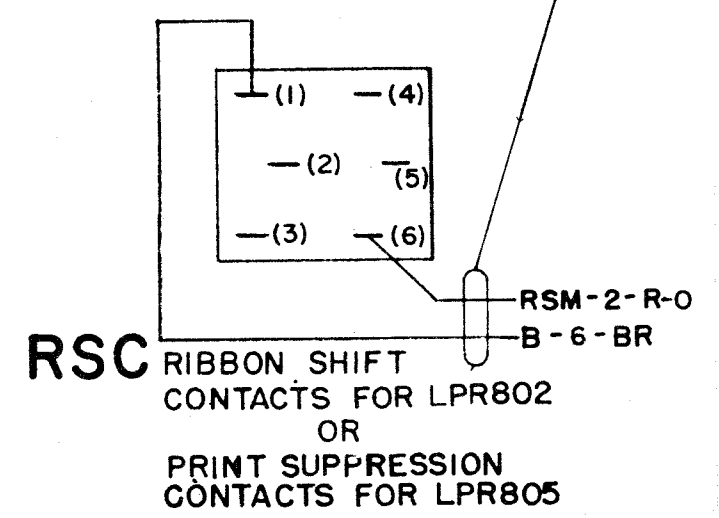
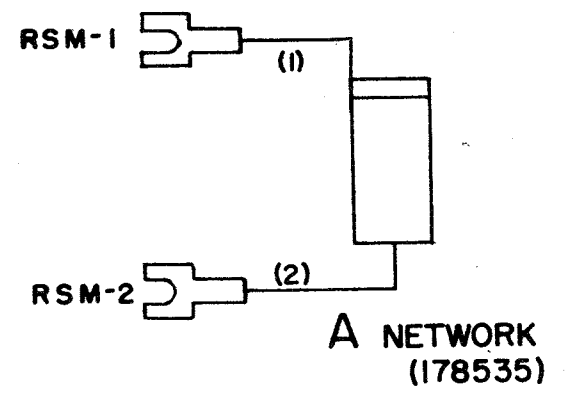
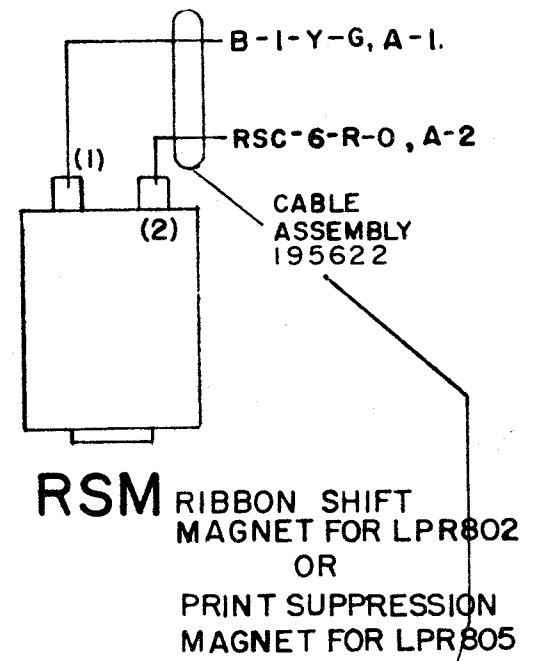
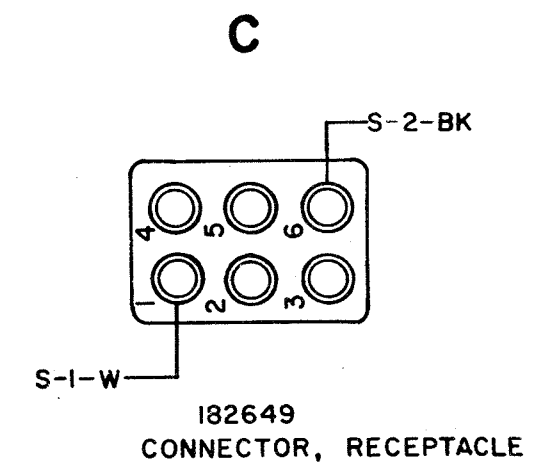
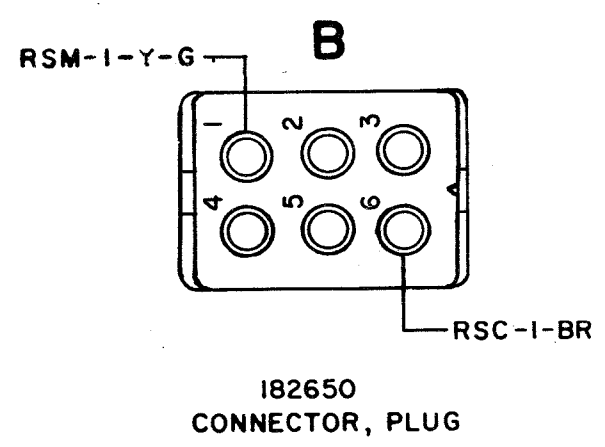
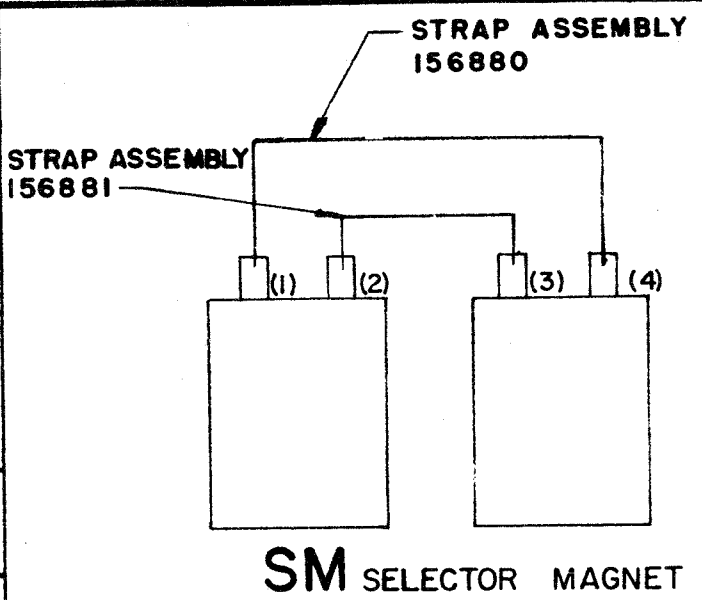


ISSUE	DATE	AUTH. NO.
2	1-9-63	75477
3	3-29-63	75510
4	5-6-63	75522
5	5-6-63	76475
6	3-2-64	79697
7	3-23-64	81107
8	6-25-64	82531
9	2-25-65	85294

- NO** **NOTES**
- COLOR CODE**
 BK BLACK G GREEN
 BR BROWN BL BLUE
 R RED P PURPLE
 O ORANGE S SLATE
 Y YELLOW W WHITE
 - WIRING LEGEND**
 DISTANT TERMINAL AREA
 DISTANT TERMINAL DESIGNATION
 MHC - 3 - W - BL
 WIRE COLOR CODE
 - TERMINALS DESIGNATED IN PARENTHESES ARE NOT MARKED ON COMPONENTS**
 - ASSOCIATED LAK 803 BASE WIRING DIAGRAM - 5811 WD.**
 - ASSOCIATED LAK 806, 810 BASE WIRING DIAGRAM - 6395 WD**



RTTY ELECTRONICS
 TELETYPE=Sales-Service-Parts
 PO Box 20101 El Sobrante, Ca.
 94820. (510)222-3102
 mr_rtty@pacbell.net

APPROVALS

D AND R <i>[Signature]</i>	E OF M <i>[Signature]</i>
E. NUMBER	
PROD. NO. 5984 WD	
ACTUAL WIRING DIAGRAM MODEL 35	
LPR 802	
LPR 805	
LPR 807	
DATE: 11-16-62	
P.D. FILE NO. 1-49.151 AA	
DRAWN J.V.K.	CHKD [Signature]
ENGD J.V.K.	APPD [Signature]
TELETYPE CORPORATION	
5984 WD	