

ISSUE	DATE	AUTH. NO.
1	7-29-65	16970-R
2	11-26-65	89440

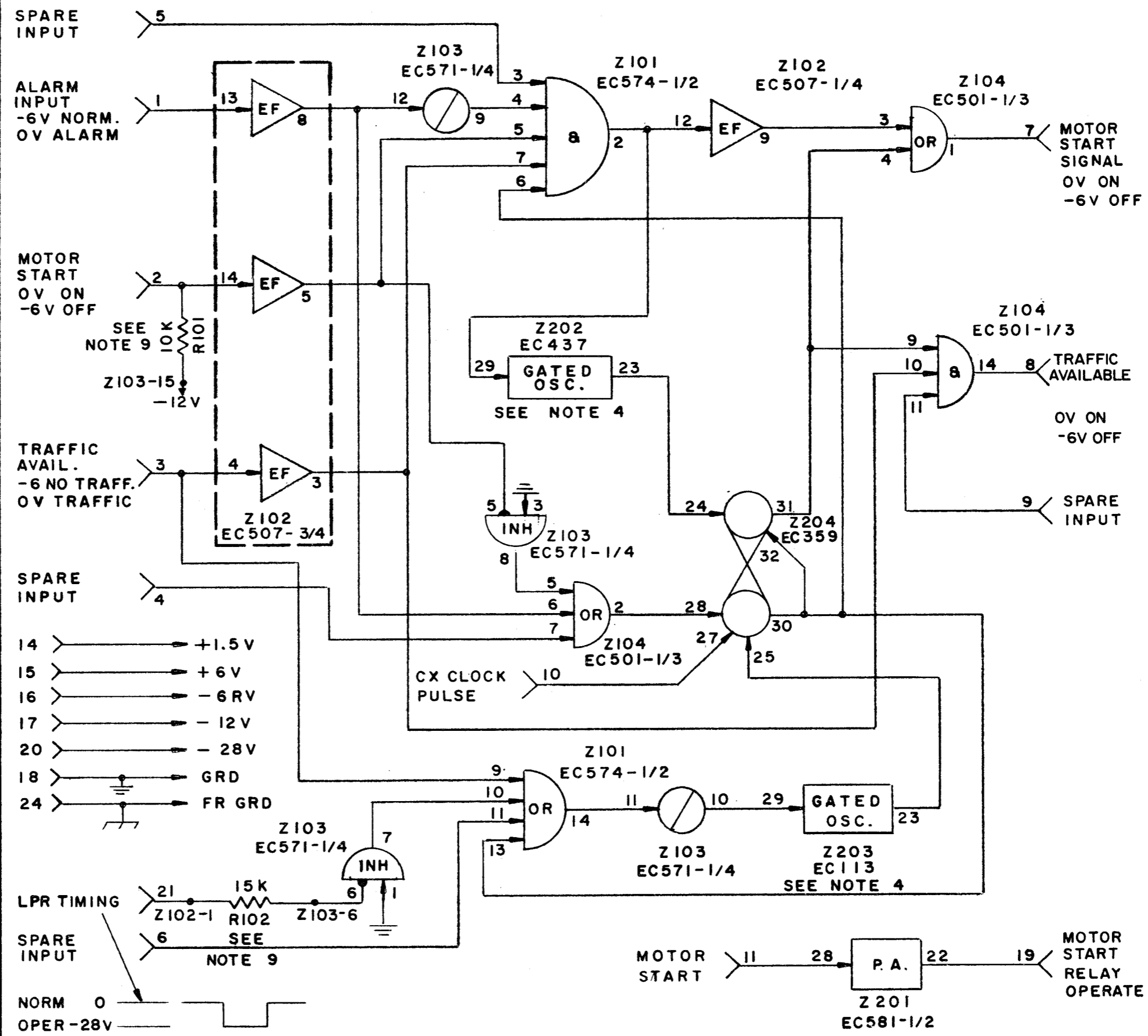
NO. NOTES

- ALL VOLTAGES DC UNLESS OTHERWISE SPECIFIED.
- ALL RESISTORS 1/2 WATT AND RESISTANCE VALUES IN OHMS.
- SPARE CIRCUITS AVAILABLE: 1-POWER AMPLIFIER Z201, EC581-1/2.
- REFER TO SPECIFICATION FOR ADJUSTMENT OF VARIABLE TIMING CIRCUITS.
-
- INDICATES TERMINAL ON CONNECTOR J101.
- REFER TO 5793 WD FOR ACTUAL WIRING DIAGRAM.
- ALPHA NUMERIC CONVERSION CHART

STAMPING ON CKT CARD	NUMERICAL CONVERSION FOR 15 PT CARD WHEN USED WITH 36 PT CONNECTOR	
	WHEN INSERTED IN UPPER HALF OF CONNECTOR	WHEN INSERTED IN LOWER HALF OF CONNECTOR
A	1	22
B	2	23
C	3	24
D	4	25
E	5	26
F	6	27
H	7	28
J	8	29
K	9	30
L	10	31
M	11	32
N	12	33
P	13	34
R	14	35
S	15	36

9 RESISTORS MOUNTED TO CARD CONNECTOR PINS USING PIN NUMBERS INDICATED.

RTTY ELECTRONICS
 TELETYPE=Sales-Service-Parts
 PO Box 20101 Sobrante, Ca.
 94820. (510)222-3102
 mr_rtty@pacbell.net



SCHEMATIC WIRING DIAGRAM FOR HIGH SPEED READER MOTOR CONTROL

ASSEM. NO. 148189

APPROVALS

D AND R	E OF M
<i>[Signature]</i>	<i>[Signature]</i>

K-NUMBER

PROD. NO. 5792 WD

DATE: 3-15-65

P.D. FILE NO. 33-A25AA

DRAWN. W O CHKD. *[Signature]*

ENGD. REP APPD. *[Signature]*

TELETYPE CORPORATION

5792 WD